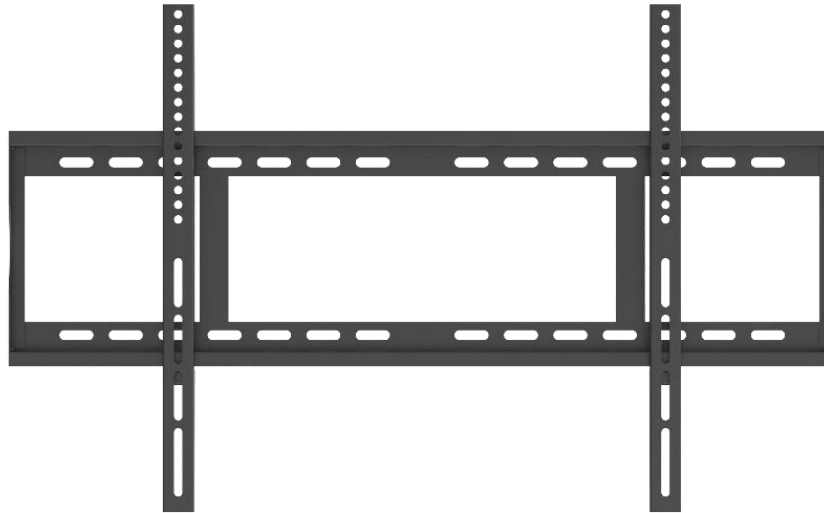


Smart Interactive Display Wall Mount

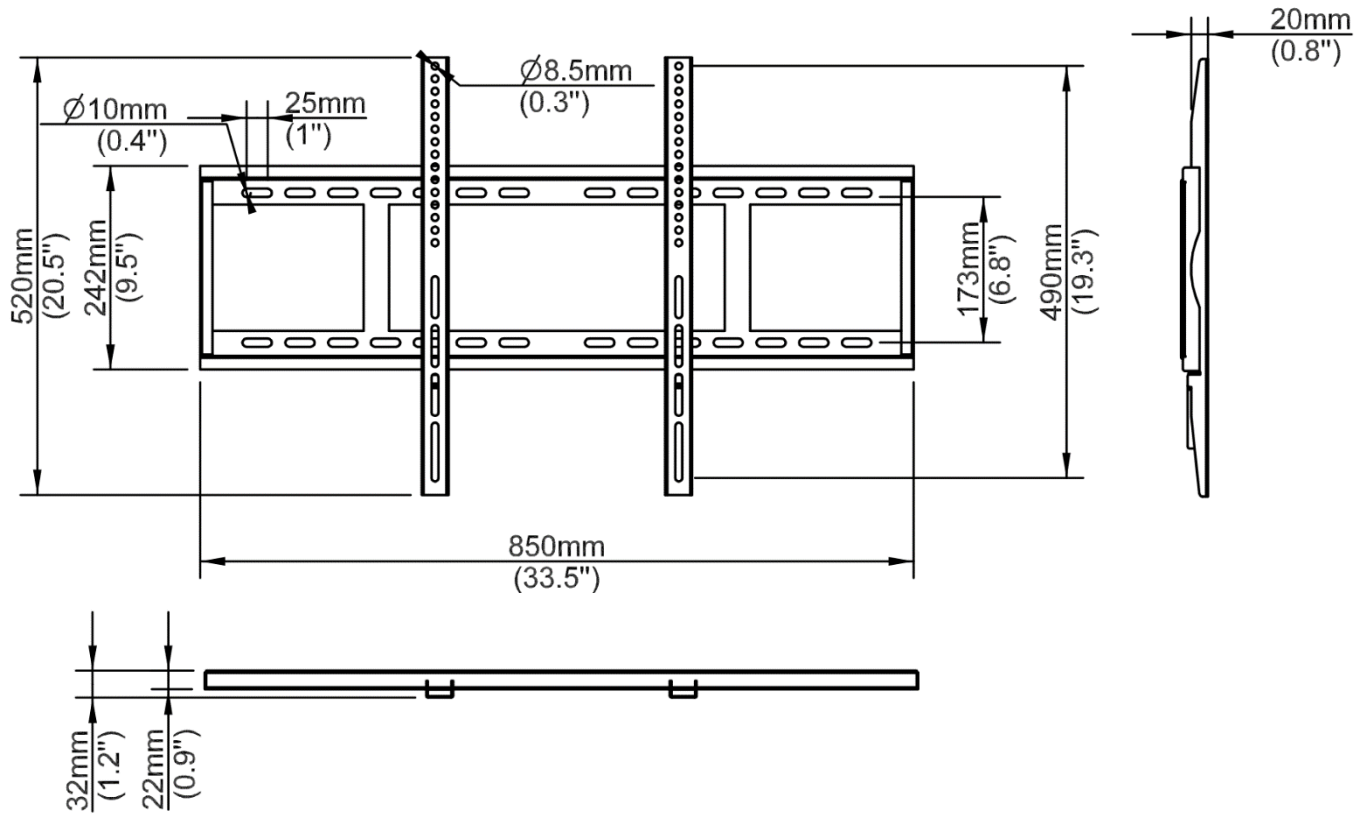
HB-4365



Specifications

Model	HB-4365
General	
Product dimensions (W*H*D)(mm)	850*520*32
Package dimensions (W*H*D)(mm)	860*250*40
Thickness (mm)	32
Max. hook hole distance (mm)	490
Weight (kg)	Net weight: 2.9 Gross weight: 3.5
Material	Cold-rolled steel sheet
Compatible products	MW3565/75/86-U-S

Dimensions



Ordering Information

Model	Remarks
HB-4365	65" to 86" smart interactive display wall mount

Zhejiang Uniview Technologies Co., Ltd.

Building No.10, Wanlun Science Park, Jiangling Road 88, Binjiang District, Hangzhou, Zhejiang, China

Email: overseasbusiness@uniview.com; globalsupport@uniview.com

<http://www.uniview.com>

©2022 Zhejiang Uniview Technologies Co., Ltd. All rights reserved.

*Product specifications and availability are subject to change without notice.